

MUKI H has been designed for use with the NOVE H Sampler.
MUKI H provides a constant-volume sample of pulp.
MUKI H ensures safe, clean and accurate sample taking,
also from a digester's blow line.
With MUKI H the amount of overflowing pulp is negligible.



TECHNICAL SPECIFICATIONS

Applicability

- For 0-18 % consistency range.
 Volume of receptacle: 0.361 litres.

Mounting

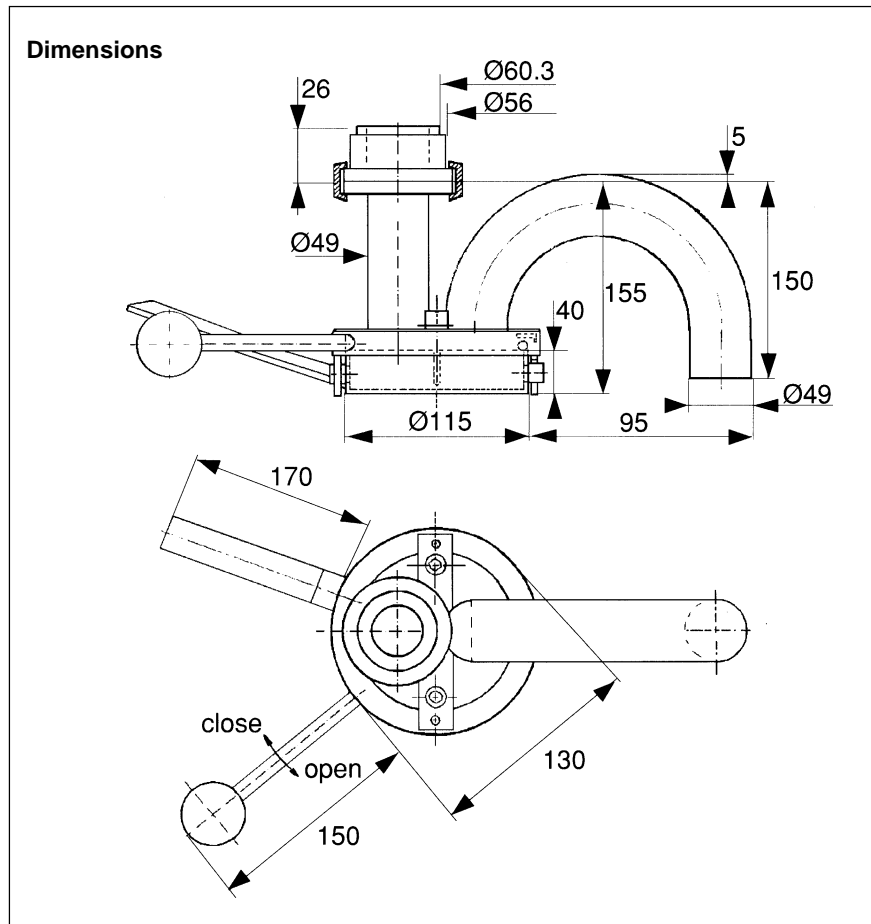
Clamp mounted (DN50):
 - Option 1: directly on NOVE H coupling.
 - Option 2: through 2" metal outlet pipe.

Mounting accessories are supplied with MUKI H, except for the connecting pipe between NOVE H and MUKI H.

Materials

- AIS1316L
 - Handle coating: plastic
 - Slide ring: POM
 - O ring: VITON

Weight: 4.5 kg (10 lbs)



INSTALLATION

1. Directly on NOVE H Sampler

See NOVE H manual G 510 VA, figure 3. If NOVE H is installed at an easily accessible height, you can install MUKI H directly on the sampler. Before attaching MUKI H to NOVE H, make sure that the gasket is in its groove on the mounting flange of MUKI H. Attach MUKI H with mounting clamps in a position where it will be easy to disconnect and reconnect.

2. At the end of discharge tube from NOVE H

The tube from NOVE H to MUKI H must be as short as possible. Weld the coupling supplied with NOVE H at the end of the outlet pipe. Place the gasket in the groove on the MUKI H coupling and attach MUKI H with mounting clamps to the end of the outlet pipe.

3. Pulp overflow basin

Make a flat-bottomed basin below MUKI H to catch overflowing pulp, and install a pipe from the bottom of the basin to sewer. The volume of the basin should be such that it can also contain the pulp and flushing water from the outlet pipe. It is also recommendable to provide a separate flushing water supply for the overflow basin.

OPERATING INSTRUCTIONS

Discharge velocity of pulp sample from NOVE H

When using MUKI H the discharge velocity of NOVE H's pulp sample should be adjusted as high as possible. Maximum velocity is recommended, provided that no disturbing splashing will occur.

Warning!

MUKI H's sample overflow pipe (10) must not be extended, as that would increase the pressure excessively in the sample receptacle.

SAMPLE TAKING

Procedure:

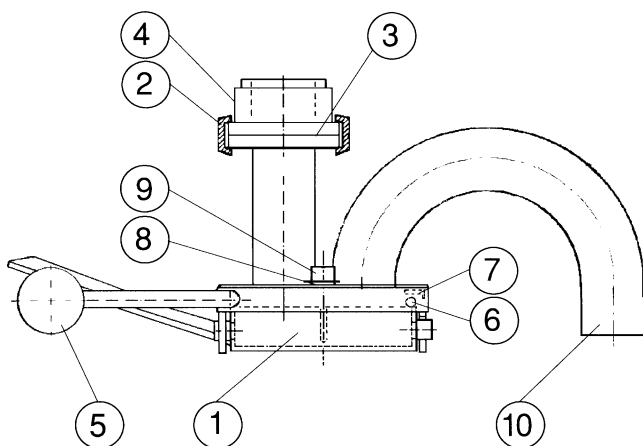
1. Before taking a sample, make sure that the receptacle is properly mounted in its holder.
2. Run some flushing water through the sampler. This will ensure that the sampler and outlet pipe are empty of pulp. (See step 5.)
3. Run pulp sample from NOVE H to receptacle until pulp runs over through the MUKI H overflow pipe for 1–2 seconds.
4. Remove the sample receptacle from its holder and empty the sample with a spatula to an approx. 1 litre sample container equipped with a cap.

5. Reconnect the sample receptacle to the body of MUKI H. Run flushing water through MOVE H until all pulp is removed from NOVE H, outlet pipe and overflow basin. If the basin has its own flushing water supply, allow it to run also.
6. Deliver the sample containers* in a basket to laboratory.

*NOTE! Take as many samples from each sampling point as the mill-specific instructions specify.

PARTS LIST

All parts, with the exception of sample overflow pipe, are available as spares.



No.	Item	Qty
1	Sample receptacle	1
2	Mounting clamp (assembly)	2
3	Gasket	1
4	Welded coupling	1
5	Knob	1
6	O-ring	1
7	Slide ring	1
8	Friction spring	2
9	Press button	2
10	Sample overflow pipe	

Product Code: M800155, MUKI H