



**PASVE®** is a ball-type mounting & service valve for SATRON VG and HG type level and pressure transmitters. **PASVE®** makes it simple to disconnect the transmitter from the process for maintenance and cleaning, without stopping the process or draining the tank.

**PASVE®** is available in a manually operated type or equipped with a pneumatic actuator.

### TECHNICAL SPECIFICATIONS

#### Transmitter connection

G1 female, seat accepts SATRON VG- and HG-transmitters.

#### Max. operating pressure/temperature

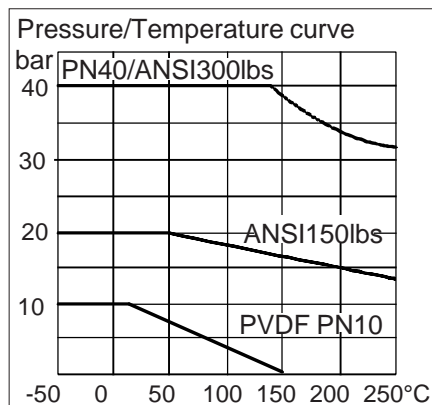
Pressure 40 bar, temperature 250 °C, (see the appended table).  
Min. operating temp. -50 °C.  
PVDF: See the appended table.

#### Materials

Wetted parts: AISI316L, Hastelloy® C276, Titanium, for **F** type also PVDF. Seals PTFE or PTFE with carbon and graphite filling.

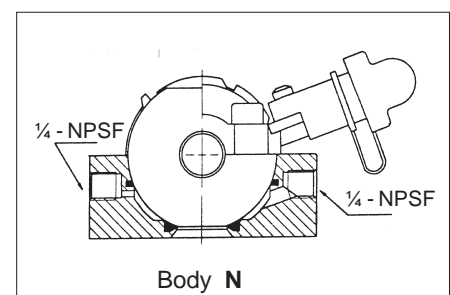
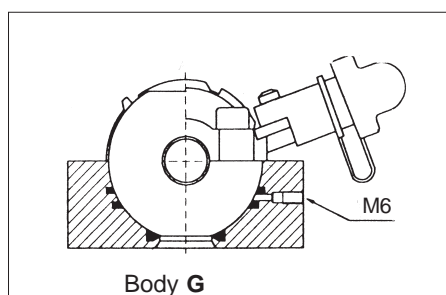
#### Weight

PASVE GC 4.3 kg, PASVE GP 4.2 kg, PASVE GF 8.4 kg, Actuator 5.5 kg

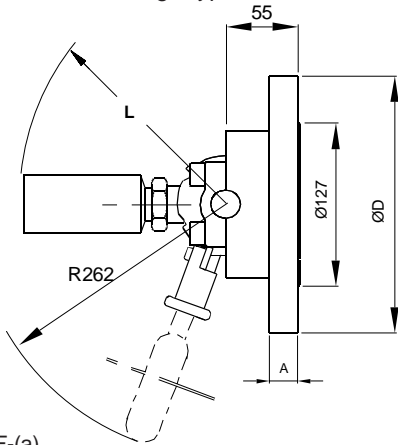


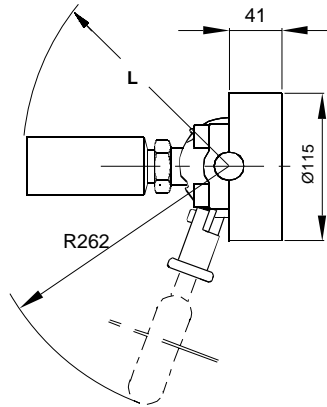
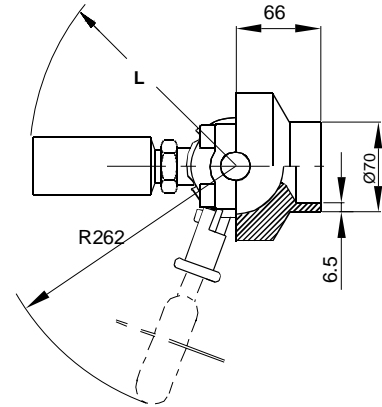
### Selection table

<b>PASVE</b>	<input type="checkbox"/>	<input type="checkbox"/>	<input type="checkbox"/>	<input type="checkbox"/>	<input type="checkbox"/>	<input type="checkbox"/>	<input type="checkbox"/>	<input type="checkbox"/>	<input type="checkbox"/>	<input type="checkbox"/>
<b>Body</b>										
<b>G</b> Std. (with 3 seals)										
<b>N</b> Flushing (with 2 seals)										
<b>Mounting</b>										
<b>C</b> On container										
<b>P</b> On pipe										
<b>F</b> On flange										
Wetted parts (C and P)										
Code	Material									
<b>none</b>	AISI316L (std.)									
<b>3</b>	Hastelloy® C									
<b>6</b>	Titanium									
<b>X</b>	Other materials*)									
Flanges										
Type	Code	Code	Material							
DN80	<b>D</b>	<b>2</b>	AISI316L							
ANSI 3"/150	<b>A</b>	<b>3</b>	Hastelloy® C276							
ANSI 3"/300	<b>B</b>	<b>6</b>	Titanium							
JIS 10K 80	<b>E</b>	<b>P1</b>	PVDF PN10							
JIS 40K 80	<b>F</b>	<b>X</b>	Other materials *)							
*)Other flanges <b>S</b>										
*) Contact Satron Instruments Inc.										
<b>Seals</b>										
<b>0</b> PTFE + 20C + 5Gr (as standard)										
<b>1</b> PTFE 100%										
<b>Pt100 Temperature sensor</b> (Only with body code <b>N</b> )										
<b>0</b> No sensor										
<b>X</b> With sensor (Measuring range: -50...+200 °C)										
<b>Actuator</b>										
<b>MD</b> No actuator (manually operated) <b>AE1</b> Electric actuator 230 V										
<b>AD_</b> Double-action actuator <b>AE3</b> Electric actuator 115 V										
<b>AS_</b> Spring-return actuator										
▲ <b>Solenoid valve type</b> (for codes <b>AD</b> and <b>AS</b> only)										
<b>1</b> 230 V AC 50 Hz 2 W(std.)										
<b>2</b> 24 V DC 2.5 W										
<b>3</b> 115 V AC 60 Hz 2 W										
<b>4</b> 28 V DC 0.4 W										
▲ <b>Solenoid explosion proof</b>										
<b>0</b> No explosion proof										
<b>1</b> EEx m II T5										
<b>2</b> EEx ia IIC T6										
<b>Position switches</b>										
<b>0</b> None										
<b>X</b> Equipped with position switches										
<b>E</b> Position switch NAMUR, DIN 19234										
<b>Options</b>										
<b>Z1</b> Oxygen wash										
<b>Z2</b> Process side flushing										
<b>Documentation</b>										
<b>E</b> English										
<b>F</b> Finnish										
<b>Material certificates</b>										
<b>0</b> No material certificate										
<b>MC1</b> SFS-EN 10204-2.1 (DIN50049-2.1)										
<b>MC2</b> SFS-EN 10204-2.2 (DIN50049-2.2)										
<b>MC3</b> SFS-EN 10204-3.1B (DIN50049-3.1B)										
Specification example: <b>PASVE G FD2 0 X AD1 X</b>										



**Dimensions (mm)**

 PASVE GF-(a)  
 NF-(a)  
 Flange type

**Manually operated**

 PASVE GC  
 NC  
 Welded on container

 PASVE GP  
 NP  
 Welded on pipe


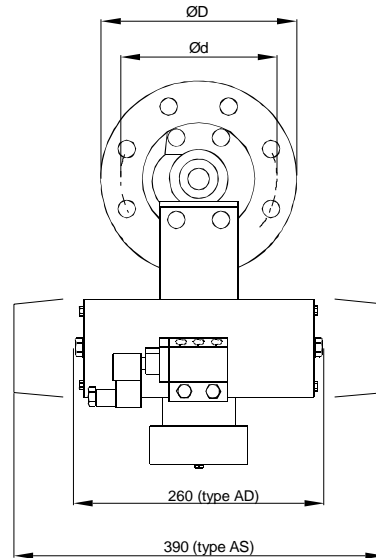
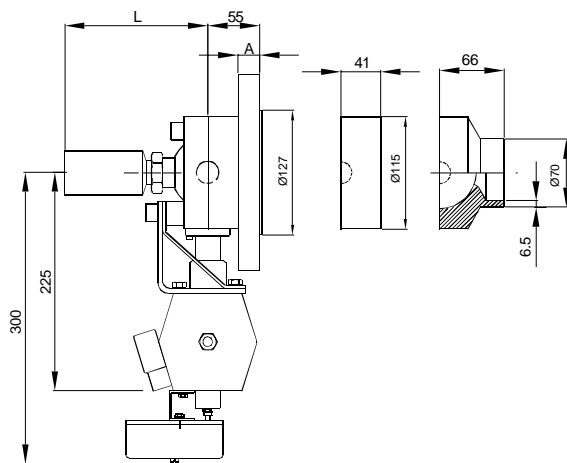
GF-(a)

a	FLANGE	ØD	Ød	A
A	ANSI 3" 150 lb	191	152.4	22
B	ANSI 3" 300 lb	210	168.3	27
D	DN80 PN40	200	160	22
E	JIS 10K 80	185	150	20
F	JIS 40K 80	210	170	30

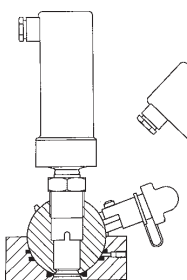
**With pneumatic actuator**

 PASVE GF-(a)  
 NF-(a)

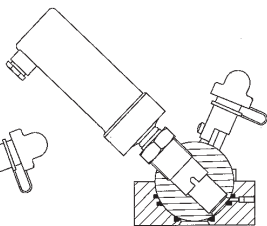
 PASVE GC  
 NC

 PASVE GP  
 NP

**OPERATING POSITIONS**

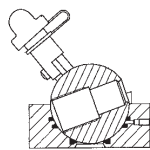
Measuring position



Replacement and zero setting



Cleaning and checking, only manual model


**SPARES**
**V534159** Service set

Incl. seals and bearing strips

Seal material: PTFE with carbon and graphite filling

**V551344** Service set

Incl. seals and bearing strips

Seal material: pure PTFE

**PATENTS**

 DE P3566577.7  
 GB 0197077

 NL 0197077  
 FR 0197077